

Cibes Lifts Technical Specifications



Technical specifications Cibes A4000, A5000 & Cibes Air®

Product name	Cibes A4000	Cibes A5000	Cibes Air®
Application	Residential	Residential / Commercial	Residential
Installation	Indoor	Indoor / Outdoor ¹	Indoor
Rated load	660 lbs	880 lbs	660 / 880 lbs
Power supply	230 VAC, 60 Hz, 16 amp, single-phase	230 VAC, 60 Hz, 16 amp, single-phase	230 VAC, 60 Hz, 16 amp, single-phase
Speed	30 fpm	30 fpm	30 fpm
Top height	88 5/8" (door) / 43 3/8" (gate)	88 5/8" (door) / 43 3/8" (gate)	88 5/8" (door) / 51 1/4" (gate)
Min headroom	90 5/8" (door)	90 5/8" (door)	90 5/8" (door)
Pit depth	0", 2", or 2 3/4"	0", 2", or 2 3/4"	0", 2", or 2 3/4"
Drive system	Screw	Screw	Screw
Lift controls	Hold-to-run	Hold-to-run	Hold-to-run
Motor power	3 HP	3 HP	3 HP
Machine room	Machine room-less (MRL)	Machine room-less (MRL)	Machine room-less (MRL)
Max number of stops	4	4	4
Max travel ²	23 ft	23 ft	23 ft
Door configuration	Single hinged doors (L/R), same side, straight-through or 90°	Single hinged doors (L/R), same side, straight-through or 90°	Single hinged doors (L/R), same side, straight-through or 90°
Safety	Safety edges for the top of the platform and floor, overload protection, emergency stop and alarm button, telephone and battery emergency lowering are included as standard.		
Lift shaft	Laminated safety glass or steel panels.		

¹ Outdoor application is only available for A5000 platform sizes 39 3/8" x 57 3/4" and 43 3/8" x 57 3/4" in.

² Travel over 14 ft may require a variance from your local jurisdiction.

Platform size	Available for lift models	Platform (in)		Shaft Size (in)		Cut out size (in)	
		Width	Depth	Width	Depth	Width	Depth
1	Cibes A4000/Air®	23 5/8"	32 3/4"	37 7/8"	34 3/4"	39 3/8"	39 1/8"
2	Cibes A4000/Air®	31 1/2"	32 3/4"	45 3/4"	34 3/4"	47 1/4"	39 1/8"
3	Cibes A4000/Air®	35 1/2"	32 3/4"	49 5/8"	34 3/4"	51 1/4"	39 1/8"
4	Cibes A4000/Air®	39 3/8"	32 3/4"	53 5/8"	34 3/4"	55 1/8"	39 1/8"
5	Cibes A4000/Air®	31 1/2"	36 5/8"	45 3/4"	38 3/4"	47 1/4"	43 1/8"
6	Cibes A4000/Air®	35 1/2"	36 5/8"	49 5/8"	38 3/4"	51 1/4"	43 1/8"
7	Cibes A4000/Air®	39 3/8"	36 5/8"	53 5/8"	38 3/4"	55 1/8"	43 1/8"
8	Cibes A4000/Air®	43 3/8"	36 5/8"	57 1/2"	38 3/4"	59 1/8"	43 1/8"
9	Cibes A5000/Air®	31 1/2"	48"	45 3/4"	49 7/8"	47 1/4"	54 3/8"
10	Cibes A5000/Air®	35 1/2"	48"	49 5/8"	49 7/8"	51 1/4"	54 3/8"
11*	Cibes A5000/Air®	39 3/8"	49 7/8"	53 5/8"	51 3/4"	55 1/8"	56 3/8"
12	Cibes A5000/Air®	39 3/8"	53 7/8"	53 5/8"	55 3/4"	55 1/8"	60 1/4"
13*	Cibes A5000/Air®	43 3/8"	53 7/8"	57 1/2"	55 3/4"	59 1/8"	60 1/4"
14	Cibes A5000/Air®	35 1/2"	57 3/4"	49 5/8"	59 5/8"	51 1/4"	64 1/4"
15*	Cibes A5000/Air®	39 3/8"	57 3/4"	53 5/8"	59 5/8"	55 1/8"	64 1/4"
16*	Cibes A5000/Air®	43 3/8"	57 3/4"	57 1/2"	59 5/8"	59 1/8"	64 1/4"

Note: Shaft and cut out sizes may vary depending on lift configuration. For exact measurements, loads and forces, ask for project specific drawings.

* Cibes A5000 platform size compliant for commercial application.

Door models

Door glazing in laminated safety glass.



Doors for Cibes A4000, A5000 and Cibes Air®						
Door model	A20	A10/A0	AL5	AL6	A25	A15
Door type	Single hinged	Single hinged	Single hinged	Single hinged	Single hinged	Single hinged
Material	Steel	Steel	Aluminum	Aluminum	Steel	Steel
Standard finish	RAL 9016	RAL 9016	Natural alum.	Natural alum.	RAL 9016	RAL 9016
Glass ¹ (w×h) in	28 ½ x 62	3 ¾ x 39 ¾	30 ½ x 72 ¼	32 ½ x 78 ¾	28 x 28	-
Concealed opener	Option	Option	Option	Option	Option	Option
Customizable Height	Yes	Yes	Yes	Yes	Yes	Yes
Outdoor	No	No	Yes	Yes	No	No

¹ Dimensions shown reflect viewable glass size for standard door/gate sizes.

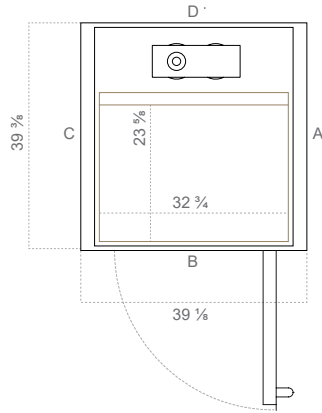


Please note that this guide is for planning purposes only. Prior to construction, request a job-specific set of plans from your local representative to ensure you obtain the accurate dimensions and requirements for your project.

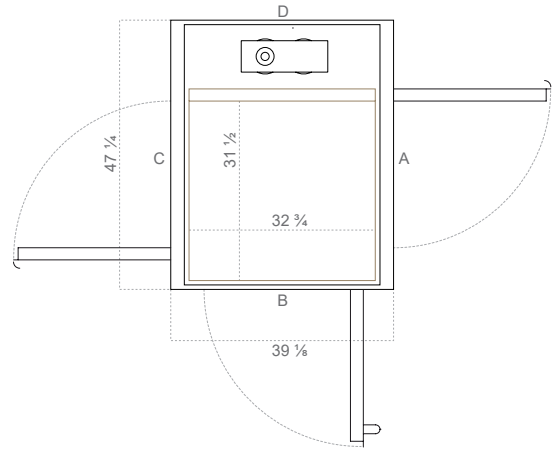
Your local representative will also assist you to identify resources to ensure that your project plans will comply with the applicable state and local codes and the permitting authorities.

Cibes platform lift sizes

Lift size 1 Cibes A4000/Air® W × D (in)	
Platform size	23 5/8 × 32 3/4
Shaft size	37 7/8 × 34 3/4
Cut out size	39 3/8 × 39 1/8



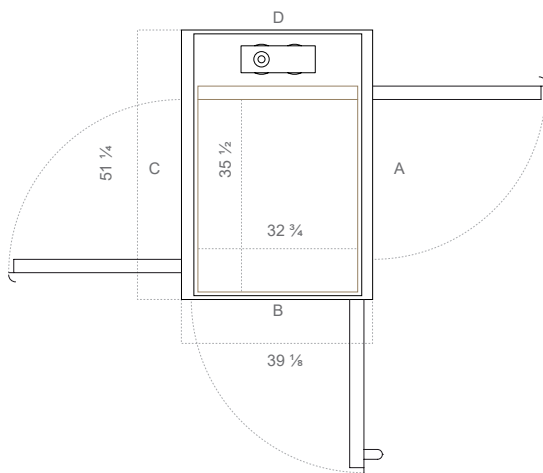
Lift size 2 Cibes A4000/Air® W × D (in)	
Platform size	31 1/2 × 32 3/4
Shaft size	45 3/4 × 34 3/4
Cut out size	47 1/4 × 39 1/8



Door Opening Width (in)		
Door Type	Side A/C	Side B
A10/A20 (steel)	-	27 5/8
AL5/AL6 (aluminum)	-	25 5/8
A15/A25 (gate)	-	-

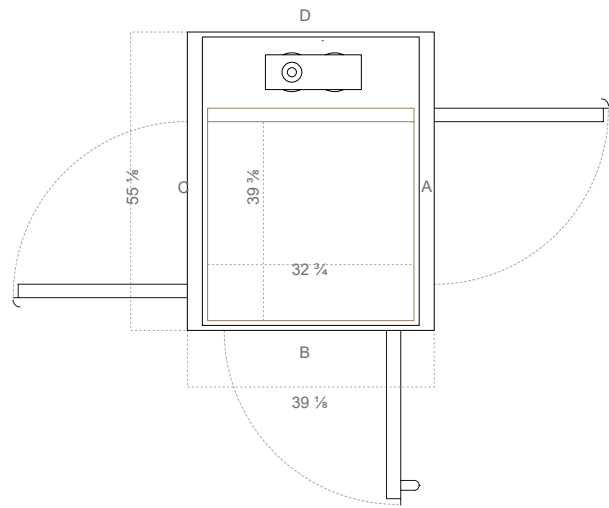
Door Opening Width (in)		
Door Type	Side A/C	Side B
A10/A20 (steel)	27 5/8	27 5/8
AL5/AL6 (aluminum)	27 5/8	25 5/8
A15/A25 (gate)	27 5/8	-

Lift size 3 Cibes A4000/Air® W × D (in)	
Platform size	35 1/2 × 32 3/4
Shaft size	49 5/8 × 34 3/4
Cut out size	51 1/4 × 39 1/8



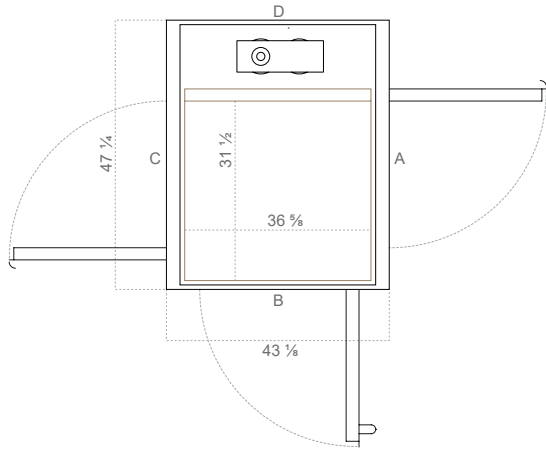
Door Opening Width (in)		
Door Type	Side A/C	Side B
A10/A20 (steel)	31 1/2	27 5/8
AL5/AL6 (aluminum)	31 1/2	25 5/8
A15/A25 (gate)	31 1/2	-

Lift size 4 Cibes A4000/Air® W × D (in)	
Platform size	39 3/8 × 32 3/4
Shaft size	53 5/8 × 34 3/4
Cut out size	55 1/8 × 39 1/8

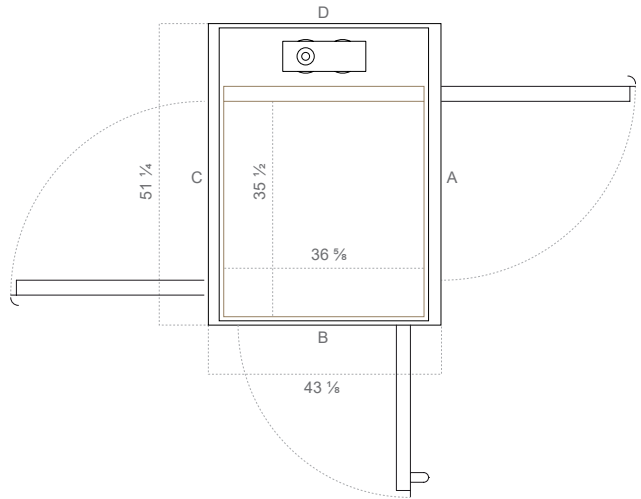


Door Opening Width (in)		
Door Type	Side A/C	Side B
A10/A20 (steel)	35 1/2	27 5/8
AL5/AL6 (aluminum)	35 1/2	25 5/8
A15/A25 (gate)	35 1/2	-

Lift size 5 Cibes A4000/Air® W × D (in)	
Platform size	31 ½ × 36 ⅝
Shaft size	45 ¾ × 38 ¼
Cut out size	47 ¼ × 43 ⅝



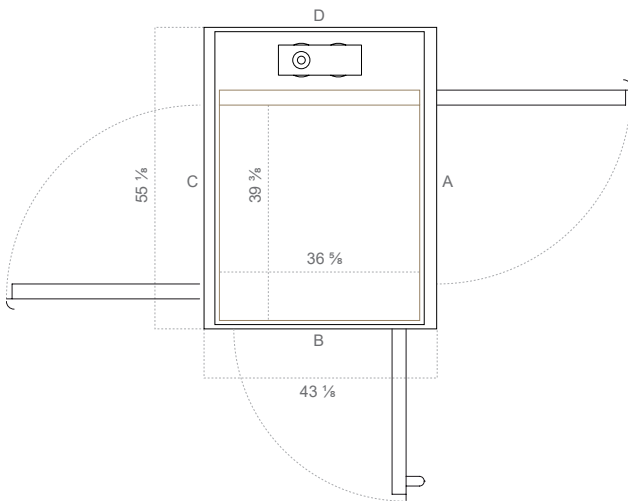
Lift size 6 Cibes A4000/Air® W × D (in)	
Platform size	35 ½ × 36 ⅝
Shaft size	49 ⅝ × 38 ¼
Cut out size	51 ¼ × 43 ⅝



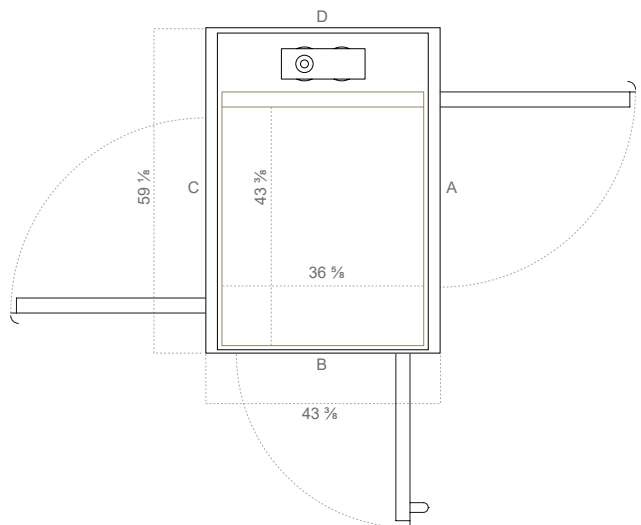
Door Opening Width (in)		
Door Type	Side A/C	Side B
A10/A20 (steel)	27 ⅝	31 ½
AL5/AL6 (aluminum)	27 ⅝	29 ⅝
A15/A25 (gate)	27 ⅝	-

Door Opening Width (in)		
Door Type	Side A/C	Side B
A10/A20 (steel)	31 ½	31 ½
AL5/AL6 (aluminum)	31 ½	29 ⅝
A15/A25 (gate)	31 ½	-

Lift size 7 Cibes A4000/Air® W × D (in)	
Platform size	39 ⅝ × 36 ⅝
Shaft size	53 ⅝ × 38 ¼
Cut out size	55 ⅝ × 43 ⅝



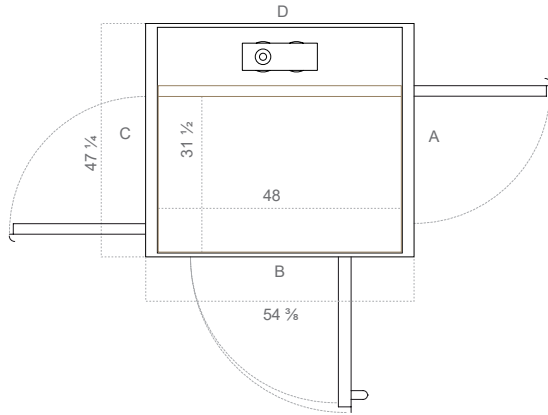
Lift size 8 Cibes A4000/Air® W × D (in)	
Platform size	43 ⅝ × 36 ⅝
Shaft size	57 ½ × 38 ¼
Cut out size	59 ⅝ × 43 ⅝



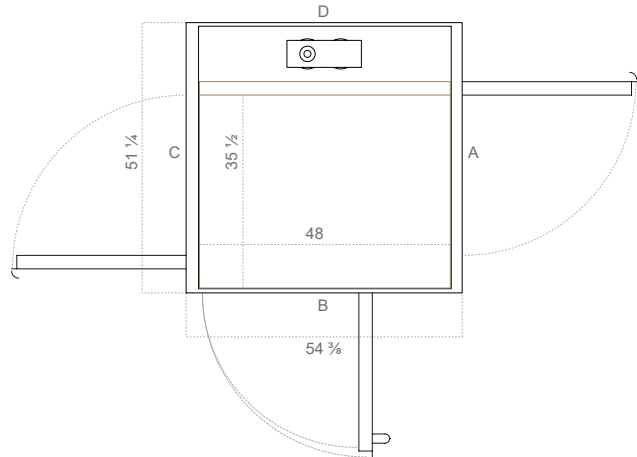
Door Opening Width (in)		
Door Type	Side A/C	Side B
A10/A20 (steel)	35 ½	31 ½
AL5/AL6 (aluminum)	35 ½	29 ⅝
A15/A25 (gate)	35 ½	-

Door Opening Width (in)		
Door Type	Side A/C	Side B
A10/A20 (steel)	35 ½	31 ½
AL5/AL6 (aluminum)	35 ½	29 ⅝
A15/A25 (gate)	35 ½	-

Lift size 9 Cibes A5000/Air® W × D (in)	
Platform size	31 ½ × 48
Shaft size	45 ¾ × 49 ⅞
Cut out size	47 ¼ × 54 ⅜



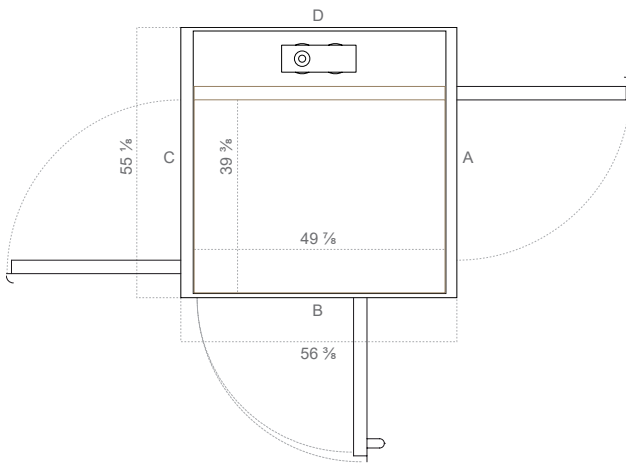
Lift size 10 Cibes A5000/Air® W × D (in)	
Platform size	35 ½ × 48
Shaft size	49 ⅞ × 49 ⅞
Cut out size	51 ¼ × 54 ⅜



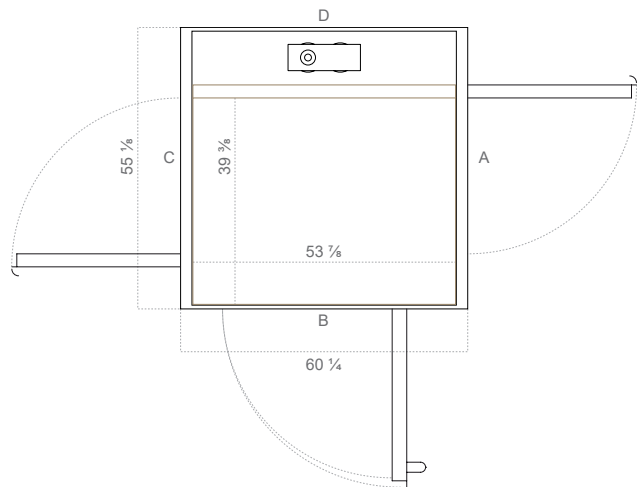
Door Opening Width (in)		
Door Type	Side A/C	Side B
A10/A20 (steel)	27 ⅞	29 ⅞
AL5/AL6 (aluminum)	27 ⅞	31 ½
A15/A25 (gate)	27 ⅞	29 ⅞

Door Opening Width (in)		
Door Type	Side A/C	Side B
A10/A20 (steel)	31 ½	29 ⅞
AL5/AL6 (aluminum)	31 ½	31 ½
A15/A25 (gate)	31 ½	29 ⅞

Lift size 11 Cibes A5000/Air® W × D (in)	
Platform size	39 ⅞ × 49 ⅞
Shaft size	53 ⅞ × 51 ¼
Cut out size	55 ⅞ × 56 ⅜



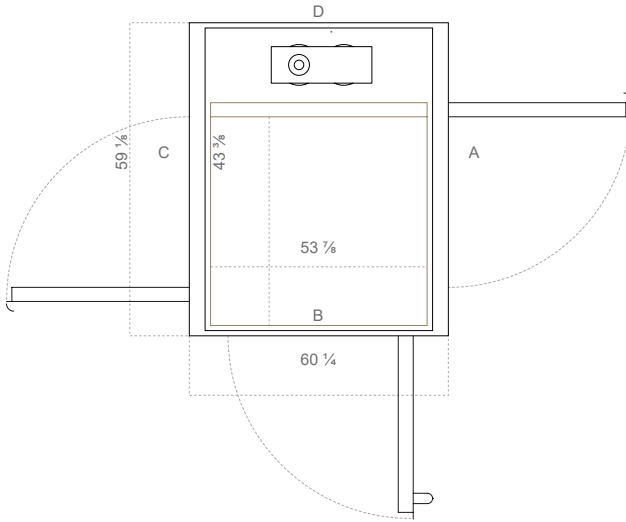
Lift size 12 Cibes A5000/Air® W × D (in)	
Platform size	39 ⅞ × 53 ⅞
Shaft size	53 ⅞ × 55 ¾
Cut out size	55 ⅞ × 60 ¼



Door Opening Width (in)		
Door Type	Side A/C	Side B
A10/A20 (steel)	35 ½	31 ½
AL5/AL6 (aluminum)	35 ½	33 ½
A15/A25 (gate)	35 ½	31 ½

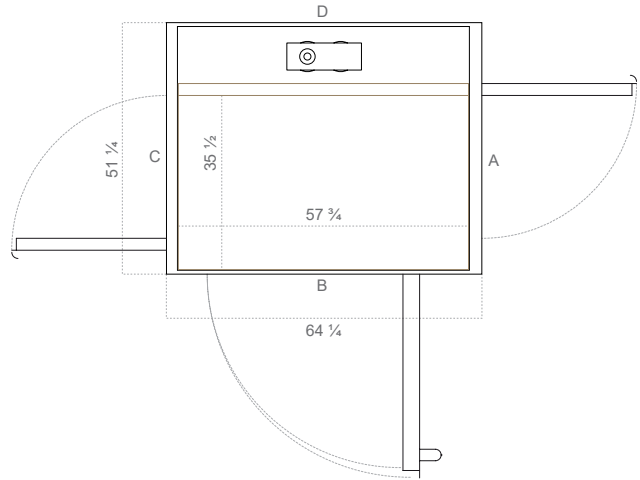
Door Opening Width (in)		
Door Type	Side A/C	Side B
A10/A20 (steel)	35 ½	35 ½
AL5/AL6 (aluminum)	35 ½	37 ½
A15/A25 (gate)	35 ½	35 ½

Lift size 13 Cibes A5000/Air® W × D (in)	
Platform size	43 3/8 × 53 3/4
Shaft size	57 1/2 × 55 3/4
Cut out size	59 1/8 × 60 1/4



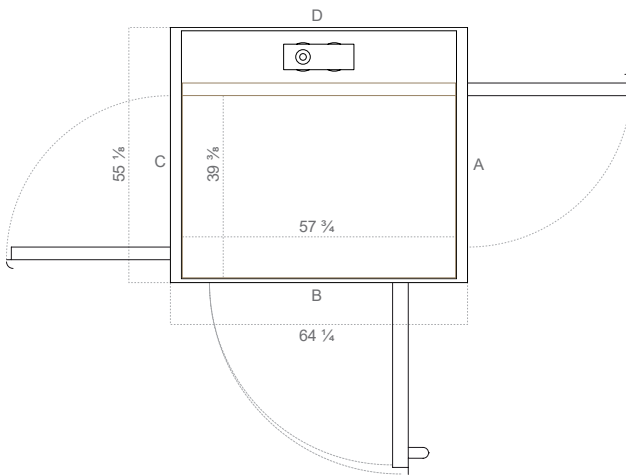
Door Opening Width (in)		
Door Type	Side A/C	Side B
A10/A20 (steel)	35 1/2	35 1/2
AL5/AL6 (aluminum)	35 1/2	37 1/2
A15/A25 (gate)	35 1/2	35 1/2

Lift size 14 Cibes A5000/Air® W × D (in)	
Platform size	35 1/2 × 57 3/4
Shaft size	49 3/8 × 59 5/8
Cut out size	51 1/4 × 64 1/4



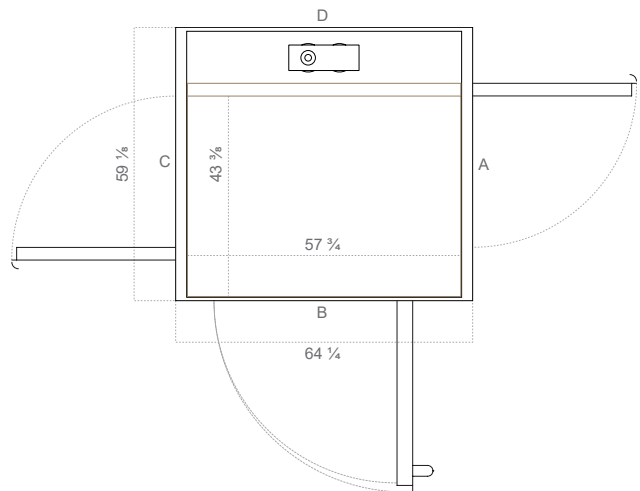
Door Opening Width (in)		
Door Type	Side A/C	Side B
A10/A20 (steel)	31 1/2	39 3/8
AL5/AL6 (aluminum)	31 1/2	41 3/8
A15/A25 (gate)	31 1/2	39 3/8

Lift size 15 Cibes A5000/Air® W × D (in)	
Platform size	39 3/8 × 57 3/4
Shaft size	53 5/8 × 59 5/8
Cut out size	55 1/8 × 64 1/4



Door Opening Width (in)		
Door Type	Side A/C	Side B
A10/A20 (steel)	35 1/2	39 3/8
AL5/AL6 (aluminum)	35 1/2	41 3/8
A15/A25 (gate)	35 1/2	39 3/8

Lift size 16 Cibes A5000/Air® W × D (in)	
Platform size	43 3/8 × 57 3/4
Shaft size	57 1/2 × 59 5/8
Cut out size	59 1/8 × 64 1/4



Door Opening Width (in)		
Door Type	Side A/C	Side B
A10/A20 (steel)	35 1/2	39 3/8
AL5/AL6 (aluminum)	35 1/2	41 3/8
A15/A25 (gate)	35 1/2	39 3/8



AIA Continuing Education

Symmetry offers a course to obtain continuing education credits. Each completed course is worth 1 (one) LU|HSW credit and provides a detailed review of residential elevators, vertical platform lifts (VPL) and limited use/limited application (LULA) elevators. This course also addresses: code application, specification, suitability of product type, the direct governance guidelines of ADA, ANSI and ASME, and site conditions required for a successful final installation.



A PART OF THE CIBES LIFT GROUP

symmetryelevator.com | customerservice@symmetryelevator.com | 877-375-1428